

Lightweight, adaptable liquid level measurement

- Compatible with fuels, oil, and coolants
- Multiple standard and custom mounting options
- Aluminium construction with side or top cable exits
- -40°C to +125°C temperature range
- Tank volume output
- Temperature output option
- High or low switch output option



OUTPUT

Primary output standard range	0.25 – 4.75V Range is Datum A to Datum B (see drawing overleaf)
Primary output maximum range	0.25 – 10V (configurable through user software.)
Primary output accuracy	±1% @ 50% FSD (full scale deflection) 20°C
Primary volumetric output	Configurable through user software. Tank profiling Wizard or CSV file upload
Secondary output (option N)	Open collector output 50V / 1a max switch to ground (V-)
Secondary output hysteresis (option N)	Configurable through user software.
Secondary output (option Y)	0.25 - 4.75V. (0.25V = -40°C, 4.75V = +125°C) (not configurable through GLevel)
Secondary output accuracy (option Y)	+/-1.5°C between 0°C and +125°C +/-2.0°C between -40°C and 0°C

ELECTRICAL

Supply voltage	5-32VDC
Supply current	<20mA
Interface	Compatible with RS232
Resolution	10 bit (1024 points over measurement range)
Sample rate	100Hz

WIRING

Cable	Flying lead, 1000mm
Number of cores	6 with drain wire
Wire size	26AWG 7/0.15
Sleeving	XLPE

ORDERING

Length Range (mm): 1 = 100 - 250 2 = 251 - 500 3 = 501 - 750	Cable Exit: S = side exit T = top exit	Secondary Output: Y = temperature N = switch	Exact Length (mm): [] [] [] [] [] []
--	---	---	--

Sensors
4223 - 00 - [] [] [] [] [] []

Adaptor Kits 4223 - 10 - [] [] [] [] [] []	0 = no adaptor A = 1 bolt B = 2 bolt C = 3 bolt D = SAE 5 bolt E = M22 x 1.5 thread
--	--

ENVIRONMENTAL

Ingress Protection	IP68
Shock tested to	BS EN 60068-2-27 (half-sine pulse 25g, 6ms 1000 shocks (positive and negative) in each 3 axis)
Vibration tested to	Resonant frequency search 5 to 2500Hz @ 0.5g peak
Pressure	10 bar (absolute and differential)
Drop	1m (in packaging) on all 3 sides
Thermal shock	to BS EN 60068-2-14, test Na
Dry heat	to BS EN 60068-2-2, test Bb
Cold	to BS EN 60068-2-1, test Ab
Damp heat	to BS EN 60068-2-30, test Db
EMC immunity	BS EN 60945, BS EN 61326 and BS EN 61000-6-1/2/3/4

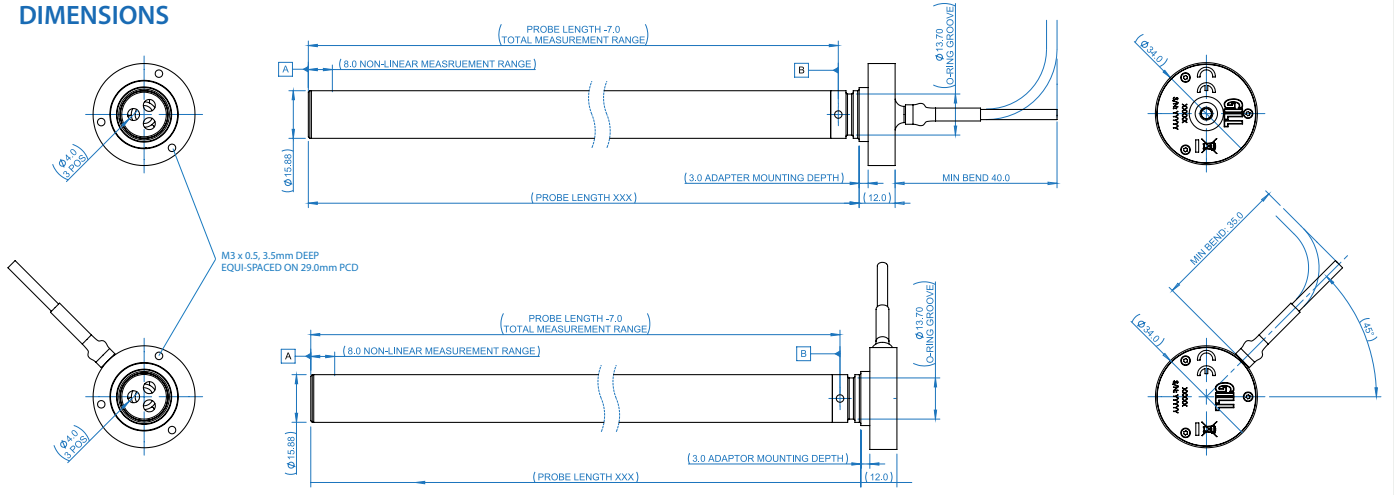
MECHANICAL

Lengths available	100-750mm in 1mm steps
Mounting options	1 hole, 2 hole, 3 hole, 5 hole and M22x1.5 threaded
Sealing options	Panel gasket or o-ring
Cable exit options	Top or Side
Weight	36.5 g (100mm probe with 1000mm cable) +0.34g per additional mm (probe)

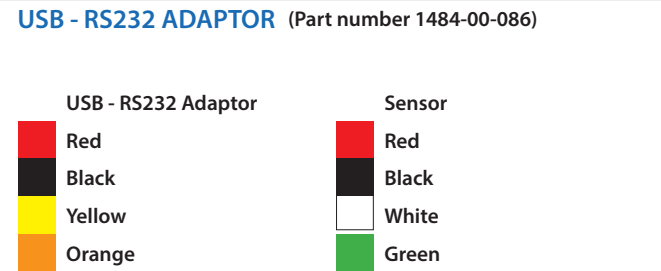
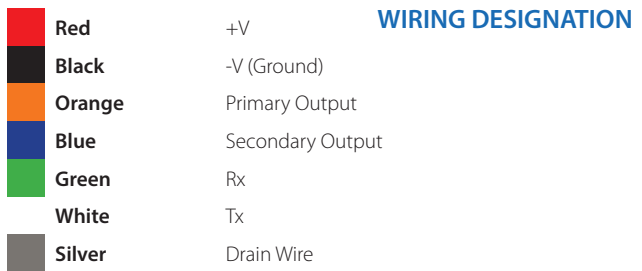
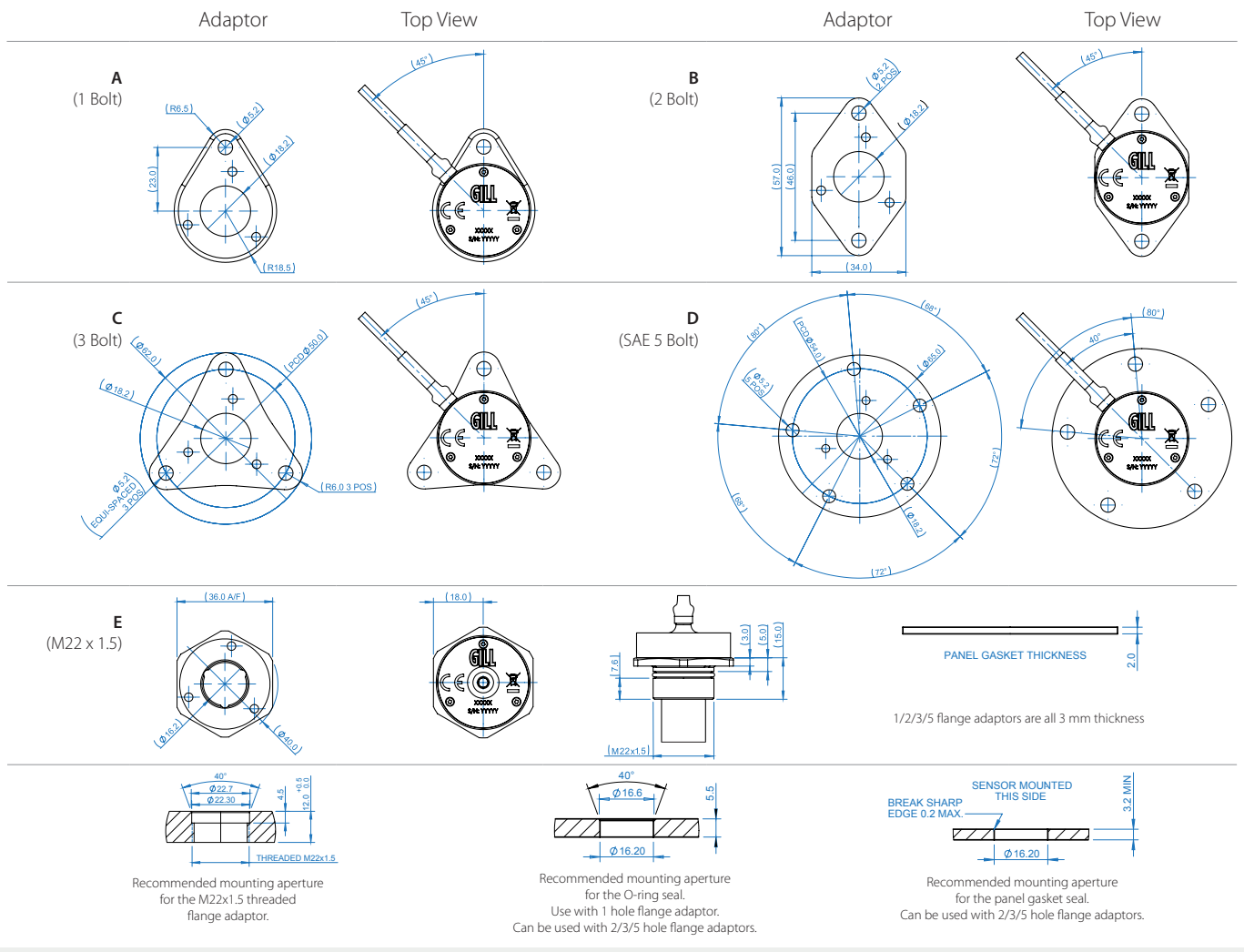
LIQUIDS

Fuels	Diesel, Gasoline, Biofuels
Oils	Hydraulic, Gear, Motor, Vegetable, Synthetic Ester, Polyalphaolefin, Polyglycol
Coolants	Ethylene Glycol, Water
Other	Salt water

DIMENSIONS



MOUNTING FLANGES



More information at gillsc.com

E support@gillsc.com
T +44 (0)1590 613900

CE
E & OE
LD4223-Iss 6

GILL
Sensors & Controls