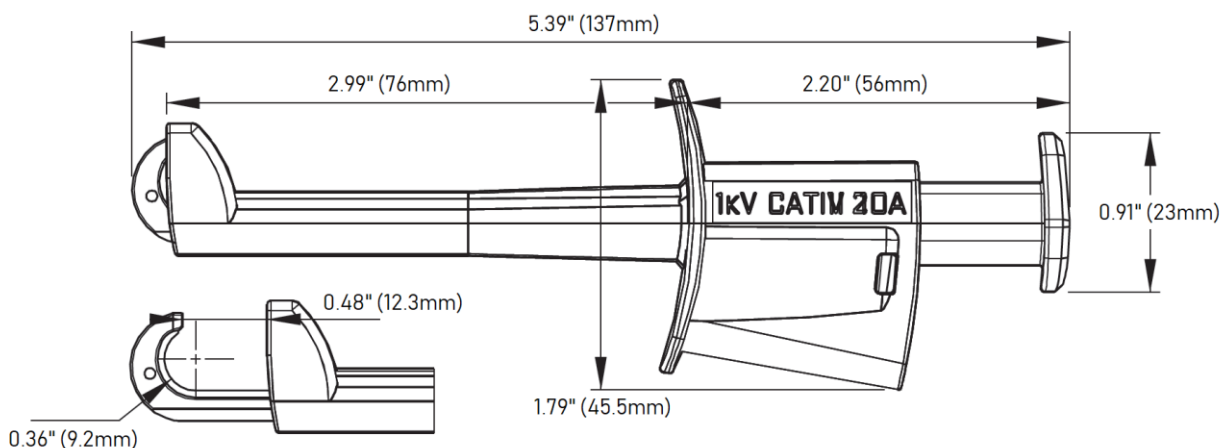


Model 73103
Maxigrabber® with Reinforced Insulation



Features

- Reinforced insulation for increased electrical protection
- Designed for connections to high current conductors
- 12mm hook opening
- Ideal for electronic, electrical and industrial applications where access to hard-to-reach high voltage test points is a requirement
- Safety 4mm banana jack mates with Pomona’s 5907A, 5908A, and 5909A test lead sets for interfacing with Digital Multi-Meters

Materials

Conductor: Nickel-plated brass, steel, and brass
Insulation: Polypropylene and Nylon 6

Ratings

Voltage: CAT II 1000V / CAT III 1000V / CAT IV 1000V
Current: 20 amperes
Operating Temperature: +5°C to +45°C (+41°F to 113°F)

Ordering Information

Model: 73103-*color*
Color: 0=Black, 2=Red
Maxigrabber® with Reinforced Insulation



USA: Sales: 800-490-2361
Technical Support: technicalsupport@pomonatest.com
Fax: 425-446-5844
Europe: 31-(0) 40 2675 150 **International:** 425-446-5500
Where to Buy: www.pomonaelectronics.com

All dimensions are in inches. Tolerances (except noted): .xx = ±.02" (.51 mm), .xxx = ±.005" (.127 mm). All specifications are to the latest revisions. Specifications are subject to change without notice. Registered trademarks are the property of their respective companies.