

# RP7 SINGLE-PHASE POWER CONTROLLER

## FEATURES:



- Contactless power switching on.
- For power control of resistive and resistive-inductive energy receivers, and rotational speed control of single-phase motors with a capacitor or commutator motors at small loads.
- Output current: 5, 10 or 15 A.
- Trigger deceleration of "softstart" type.
- Signaling of fuse damages.
- Control of the initial trigger angle value.
- Receiver current limitation and limitation of the receiver current and release angle.
- Control by a continuous or potentiometric signal.
- Phase control.

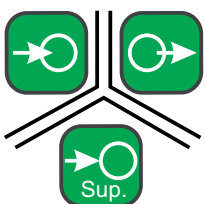
## INPUT:



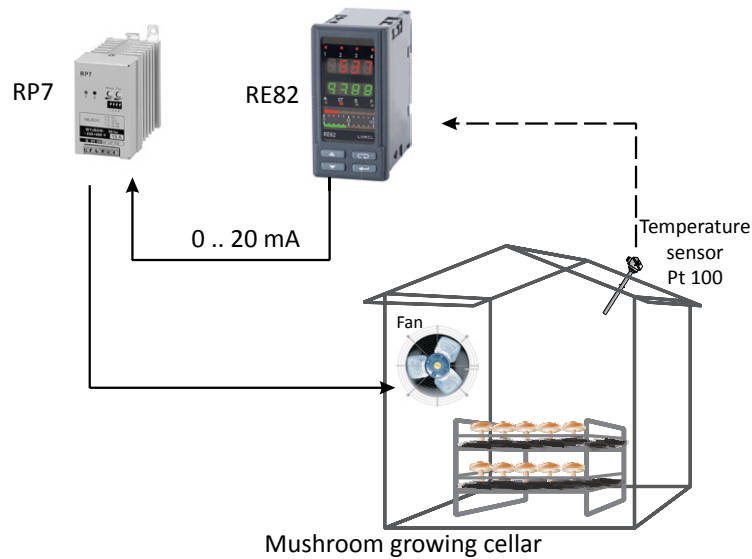
## OUTPUTS:



## GALVANIC ISOLATION:



## EXAMPLE OF APPLICATION



Ventilation of production halls.

## INPUTS

Input type	Range	Remarks
potentiometric	0 .. 10 k Ω	
continuous	0 .. 5 V	input resistance: 3 k Ω
continuous	0 .. 10 V	input resistance: 6 k Ω
continuous	0 .. 20 mA	input resistance: 250 Ω
continuous	4 .. 20 mA	input resistance: 250 Ω

## OUTPUTS

Output type	Properties
triac	5, 10, 15 A; 195 .. 230 .. 253 V

## EXTERNAL FEATURES

Overall dimensions	50 x 105 x 105 mm
Weight	0.55 kg
Protection grade	IP20

## RATED OPERATING CONDITIONS

Temperature	ambient: 5 .. 20 .. 50°C	storage: -20 .. 80°C
Operating position	vertical	
External magnetic field	< 400 A/m	

## SAFETY AND COMPATIBILITY REQUIREMENTS

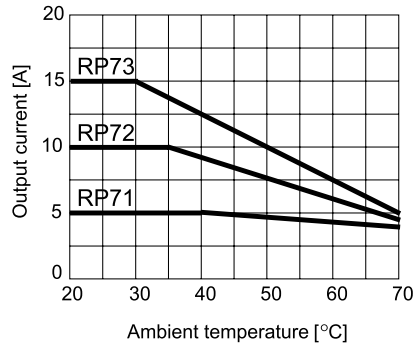
Electromagnetic compatibility	noise immunity	acc. to EN 60947-4-3
	noise emissions	acc. to EN 60947-4-3
Pollution level	2	
Installation category	III	
Maximal phase-to-earth operating voltage	320 V for power circuits and supply, 50 V for other circuits	for input circuits: 50 V

Export department:  
Tel: +48 68 45 75 139/  
276 / 386  
Fax: +48 68 32 54 091  
e-mail: export@lumel.com.pl

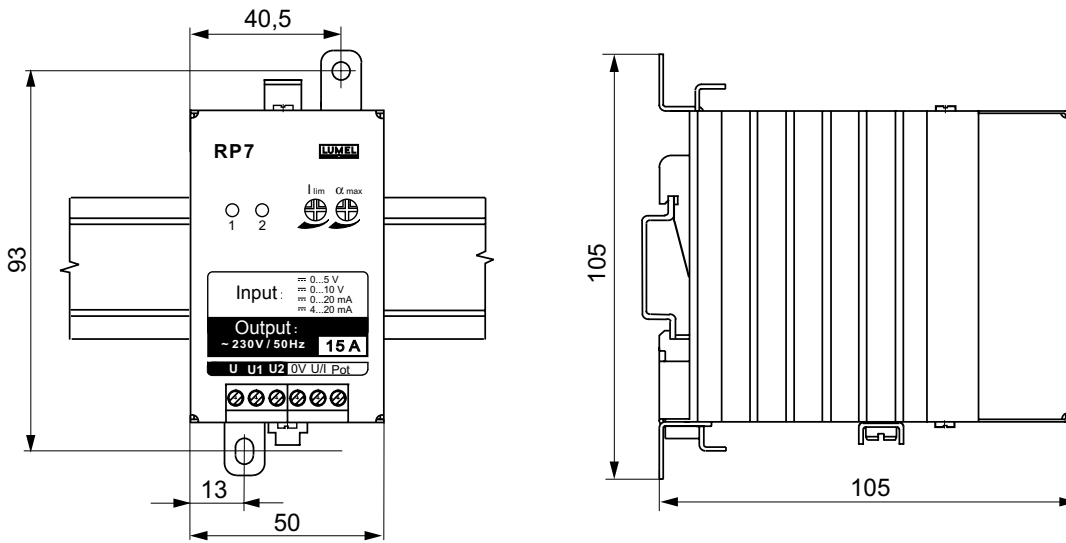
LUMEL S.A.  
ul. Sulechowska 1  
65-022 Zielona Góra  
POLAND  
WWW.LUMEL.COM.PL

# RP7 SINGLE-PHASE POWER CONTROLLER

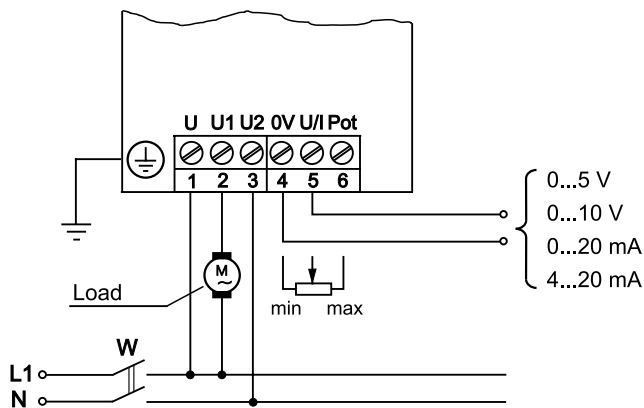
## LOAD CAPACITY



## OVERALL AND MOUNTING DIMENSIONS



## CONNECTION DIAGRAM



## ORDERING

	RP7 -	X	X
<b>Maximal output current:</b>			
5 A		1	
10 A		2	
15 A		3	
<b>Acceptance tests:</b>			
without additional quality inspection requirements			8
with an extra quality inspection certificate			7
other requirements *			X

\* After agreeing with the manufacturer

### ORDER EXAMPLE:

The cod: **RP7 - 2 - 8** means:

- RP7** - power controller of RP7 type,
- 2** - maximal output current: 10 A,
- 0** - without additional quality inspection requirements.

For more information about LUMEL's products please visit our website:  
[www.lumel.com.pl](http://www.lumel.com.pl)

**Export department:**  
Tel: +48 68 45 75 139/  
276 / 386  
Fax: +48 68 32 54 091  
e-mail: export@lumel.com.pl

LUMEL S.A.  
ul. Sulechowska 1  
65-022 Zielona Góra  
POLAND  
[WWW.LUMEL.COM.PL](http://WWW.LUMEL.COM.PL)